



T&S BRASS AND BRONZE WORKS, INC.
 2 Saddleback Cove / P.O. Box 1088
 Travelers Rest, SC 29690

Model No.
EU-1DP00-108H

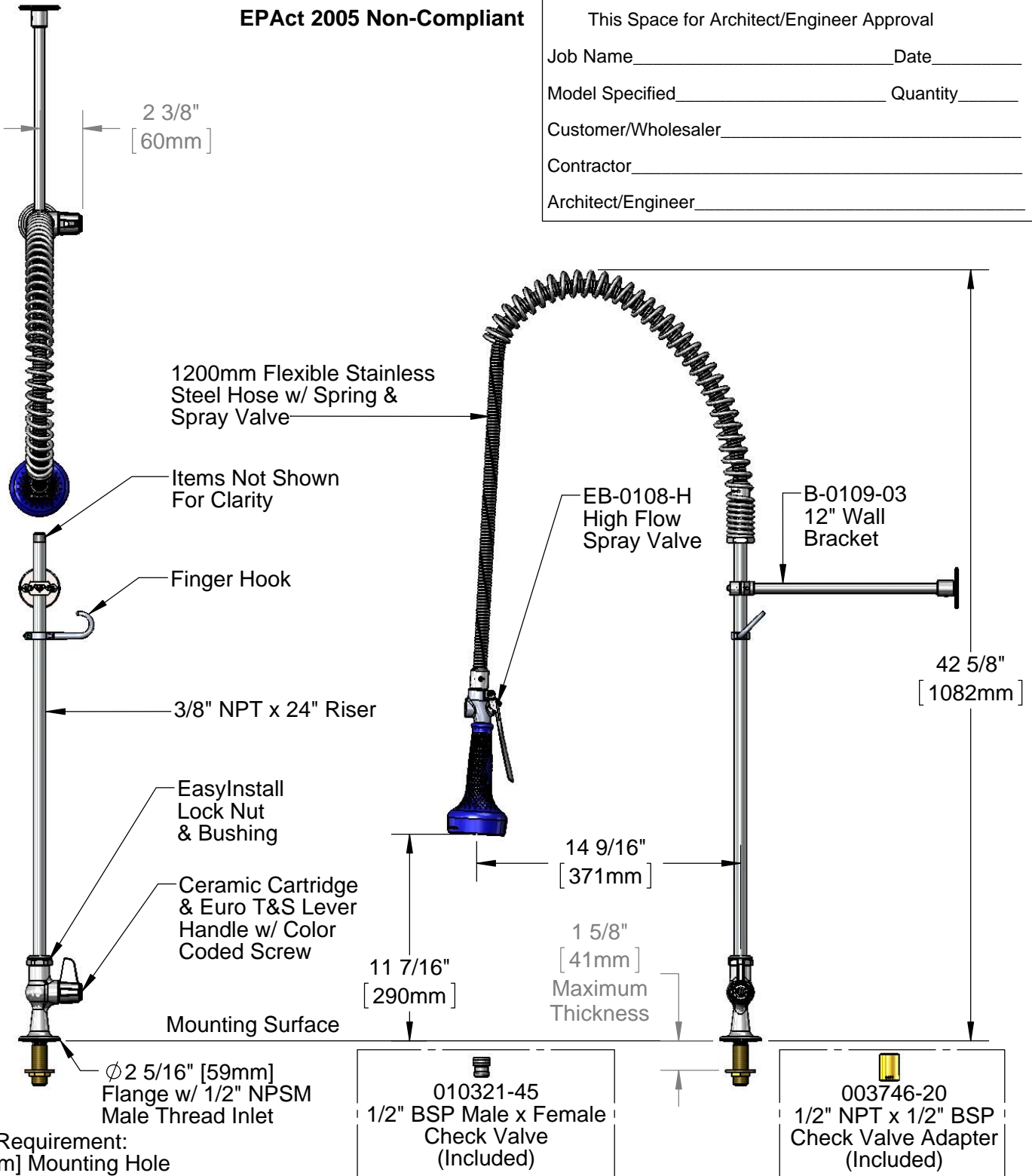
Item No.

Travelers Rest, SC: 800-476-4103 • Simi Valley, CA: 800-423-0150 • Fax: 864-834-3518 • www.tsbrass.com

EPAct 2005 Non-Compliant

This Space for Architect/Engineer Approval

Job Name _____ Date _____
 Model Specified _____ Quantity _____
 Customer/Wholesaler _____
 Contractor _____
 Architect/Engineer _____



Rough-In Requirement:
 Ø 1" [25mm] Mounting Hole

Product Specifications:
 Pre-Rinse Unit: EasyInstall Single Temperature, Single Hole Deck Mount Faucet, Ceramic Cartridge, Euro Lever Handle, 1200mm Flexible Stainless Steel Hose, High Flow Spray Valve, 12" Wall Bracket & 1/2" NPSM Male Thread Inlet w/ BSP Adapter & Check Valve

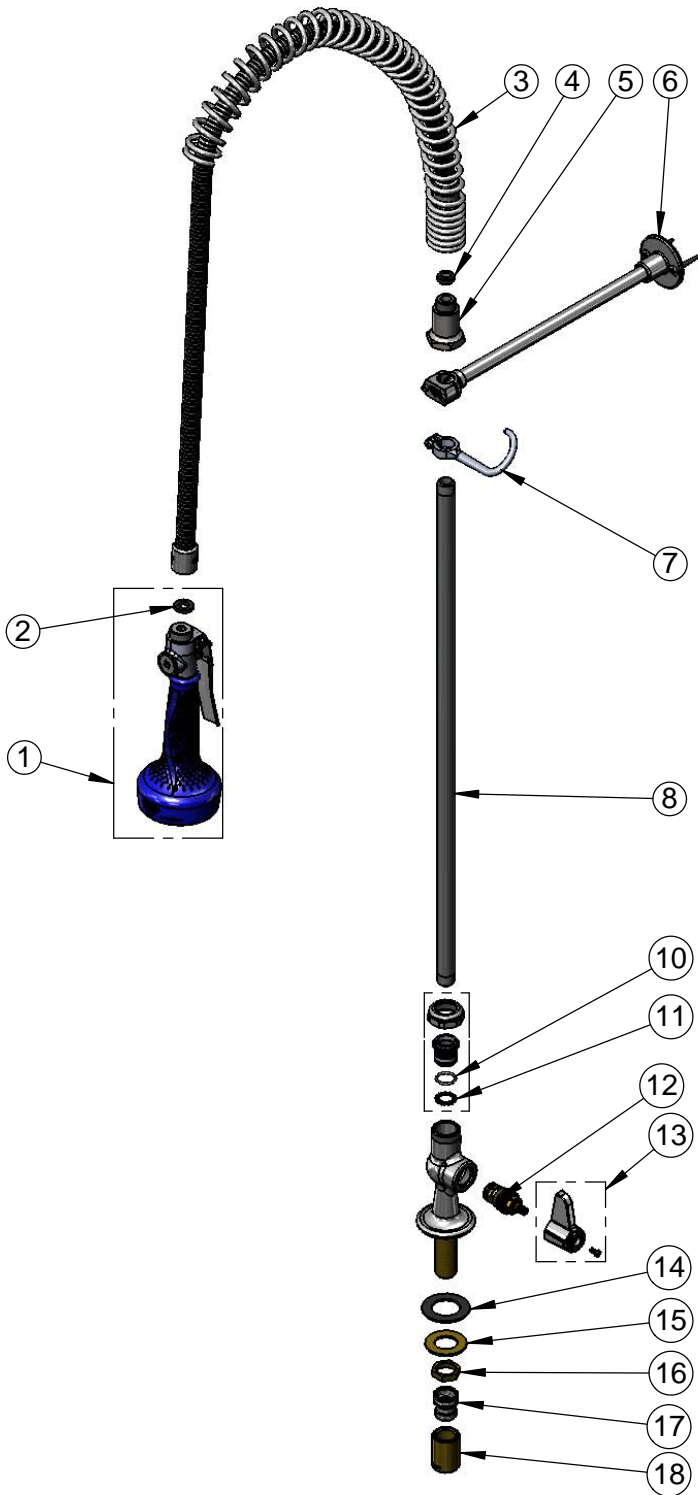
Drawn DHL	Checked JRM	Approved JHB
Scale: 1:8		Date: 01/28/14



T&S BRASS AND BRONZE WORKS, INC.
 2 Saddleback Cove / P.O. Box 1088
 Travelers Rest, SC 29690

Model No.
EU-1DP00-108H
 Item No.

Travelers Rest, SC: 800-476-4103 • Simi Valley, CA: 800-423-0150 • Fax: 864-834-3518 • www.tsbrass.com



ITEM NO.	SALES NO.	DESCRIPTION
1	EB-0108-H	High Flow Spray Valve w/ Ergo Grip
2	001014-45	Washer, B-0100 Hose Barrel
3	000888-45	EasyInstall Overhead Spring
4	010476-45	#27 Washer
5	000821-40	Spring Body
6	B-0109-03	12" Wall Bracket
7	004R	Finger Hook
8	000372-40	3/8" NPT x 24" Riser
9	EU-EZ-K	Euro EasyInstall Kit
10	001062-45	O-Ring
11	014200-45	Star Washer, Anti-Rotation
12	013787-45	equip Ceramic Cartridge, RTC (Red)
13	E-HDL-L	Euro Lever Handle w/ (2) Color Coded Screws
14	014612-45	Deck Seal
15	000999-45	Brass Lock Washer
16	002954-45	Shank Lock Nut
17	010321-45	Check Valve
18	003746-20	Adapter, 1/2" NPSM x 1/2" BSP

Product Specifications:

Pre-Rinse Unit: EasyInstall Single Temperature, Single Hole Deck Mount Faucet, Ceramic Cartridge, Euro Lever Handle, 1200mm Flexible Stainless Steel Hose, High Flow Spray Valve, 12" Wall Bracket & 1/2" NPSM Male Thread Inlet w/ BSP Adapter & Check Valve

Drawn DHL	Checked JRM	Approved JHB
Scale: NTS		Date: 01/28/14